

**TYPICAL ROOF**  
 ASPHALT SHINGLES ON  
 3'-0" EAVE PROTECT. STRIP BEYOND  
 INNER WALL EAVE PROTECTION  
 BUILDING PAPER ON  
 3/8" PLYWOOD ON  
 WOOD ROOF JOISTS  
 SEE PLANS FOR SIZE

**TYPICAL EXTERIOR WALL**  
 3 COATS STUCCO FINISH  
 WIRE MESH  
 1" TO 2" STYROFOAM BACKING ON  
 3/8" ASPENITE SHEATHING  
 2"x6" WALL STUDS @ 16" O.C.  
 R 20 INSUL W/6MIL V.B.  
 CONTINUOUS AIR BARRIER  
 1/2" GYPSUM BOARD

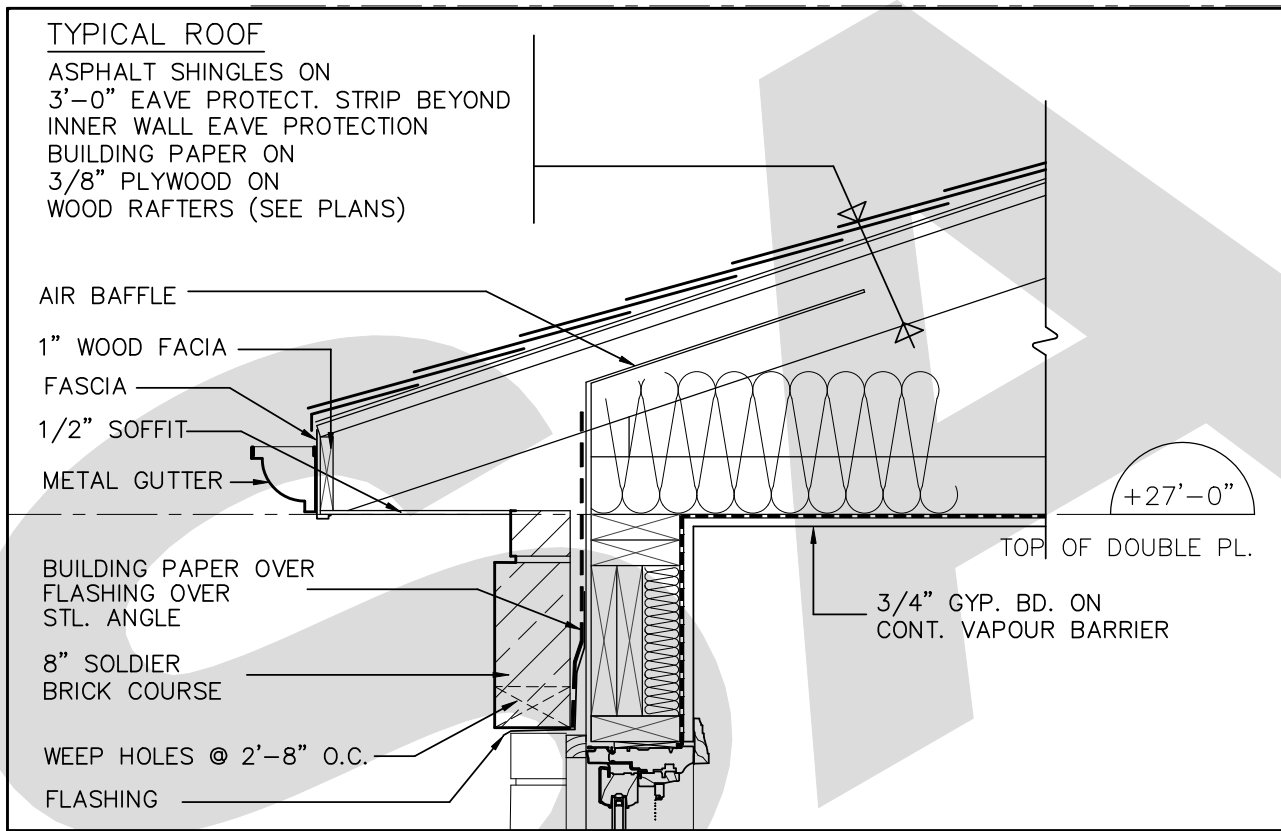
GRAVEL FLAT ROOF ON  
 CONTIN. RUBBER ROOFING MEMBRANE ON  
 1/2" PLYWOOD ON  
 2"x2" WOOD SLEEPERS ON  
 (PERPEND. TO JOISTS)  
 WOOD JOISTS (SEE PLANS FOR SIZE)

4" FACE BRICK W/MTL TIES  
 @ 16" o/c HORIZ.  
 & 24" o/c VERT  
 1" AIR SPACE  
 NO. 15 BUILDING PAPER  
 3/8" ASPENITE SHEATHING  
 2"x6" WALL STUDS @ 16" o/c  
 R 20 INSUL W/6MIL V.B.  
 CONTINUOUS AIR BARRIER  
 1/2" GYPSUM BOARD

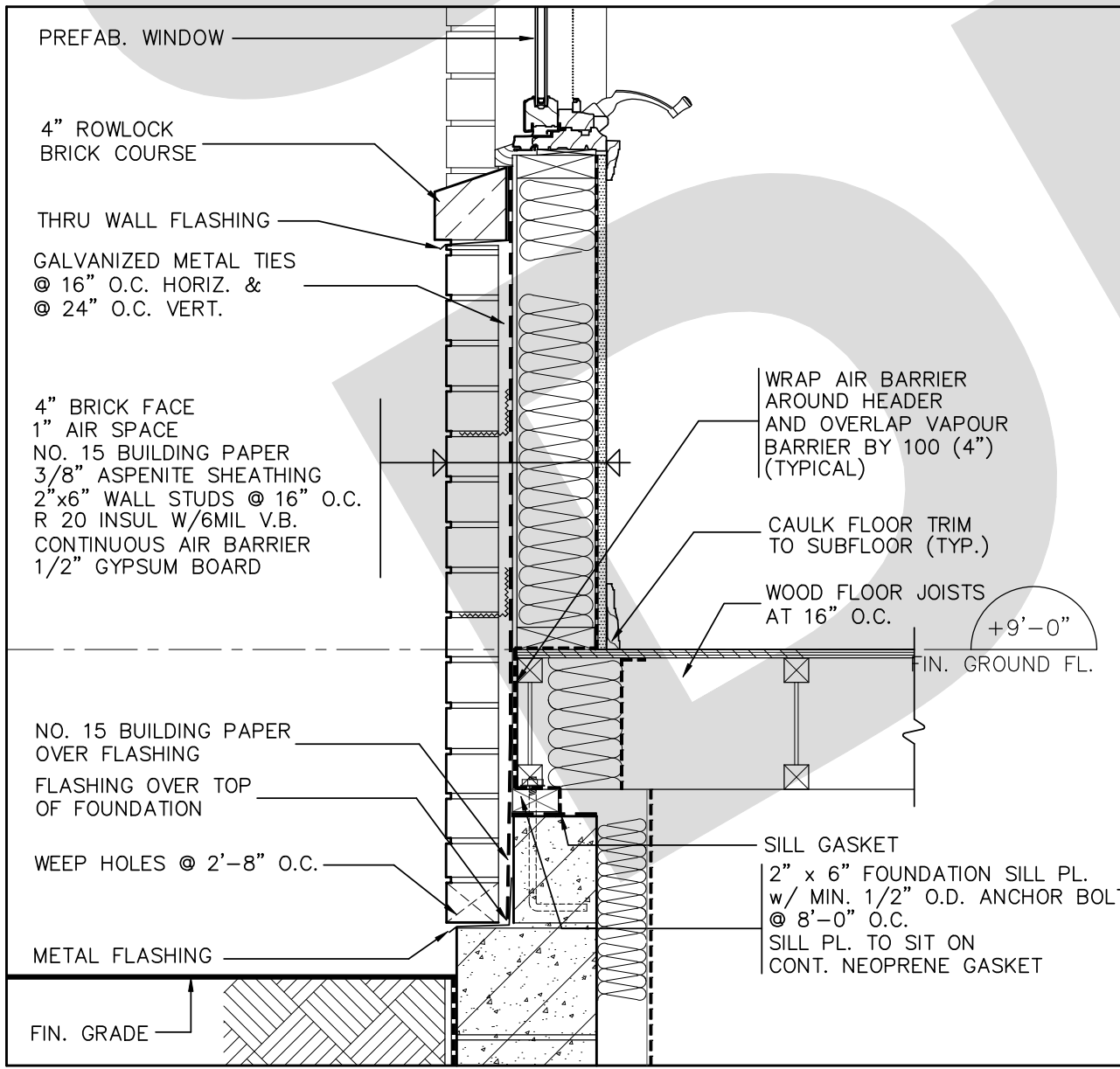
4" FACE BRICK W/MTL TIES  
 @ 16" o/c HORIZ.  
 & 24" o/c VERT  
 1" AIR SPACE  
 NO. 15 BUILDING PAPER  
 3/8" ASPENITE SHEATHING  
 2"x6" WALL STUDS @ 16" o/c  
 R 20 INSUL W/6MIL V.B.  
 CONTINUOUS AIR BARRIER  
 1/2" GYPSUM BOARD

8'-0" HIGH x 8'-0" WIDE  
 SECTIONAL OVERHEAD  
 GARAGE DOOR

CONT. WATERPROOF DRAINAGE  
 LAYER, BITUMEN DAMPROOFING  
 12" CONC. BLOCK  
 FOUNDATION WALL

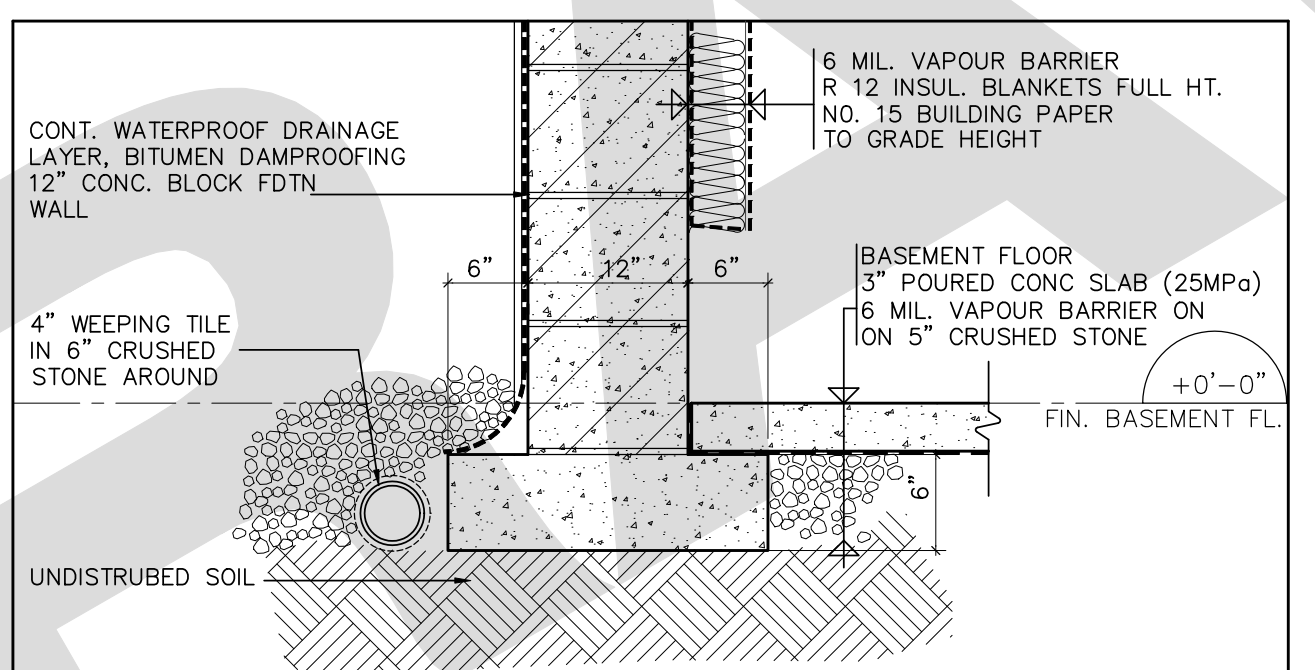


1 DETAIL  
 1"=1'-0"

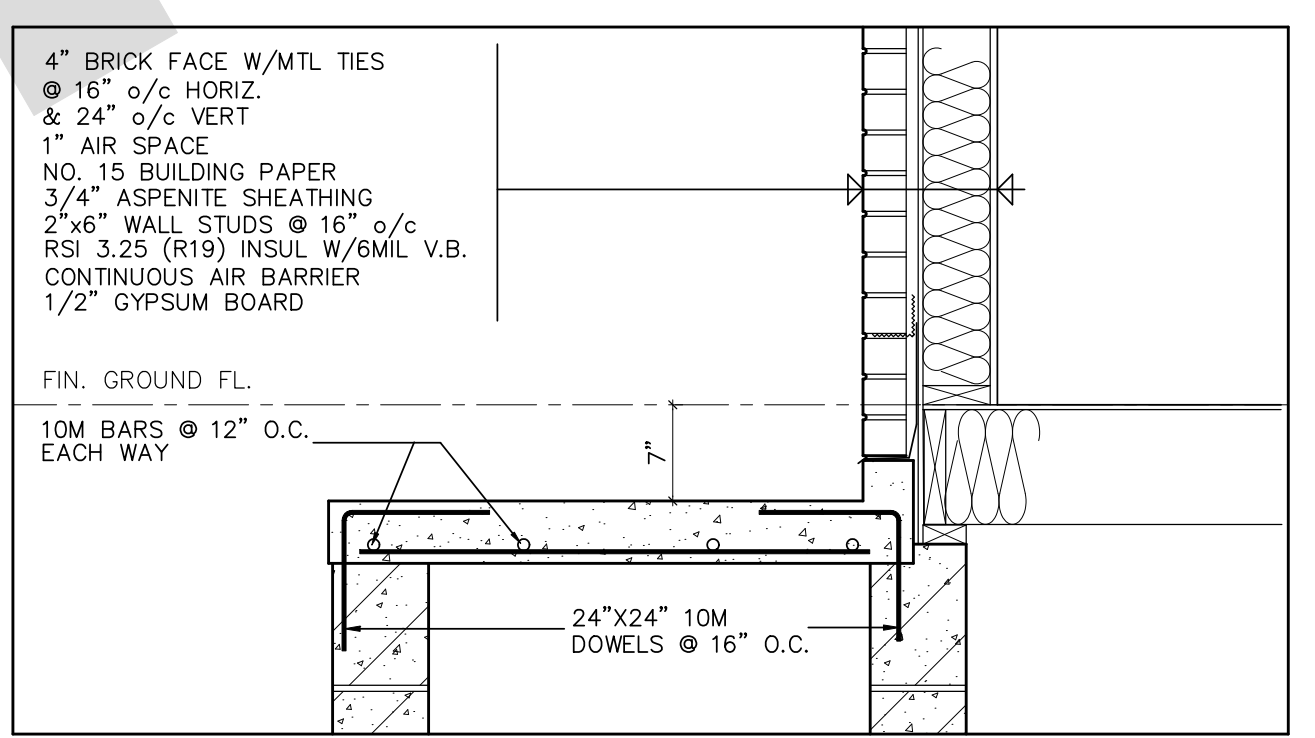


2 DETAIL  
 1"=1'-0"

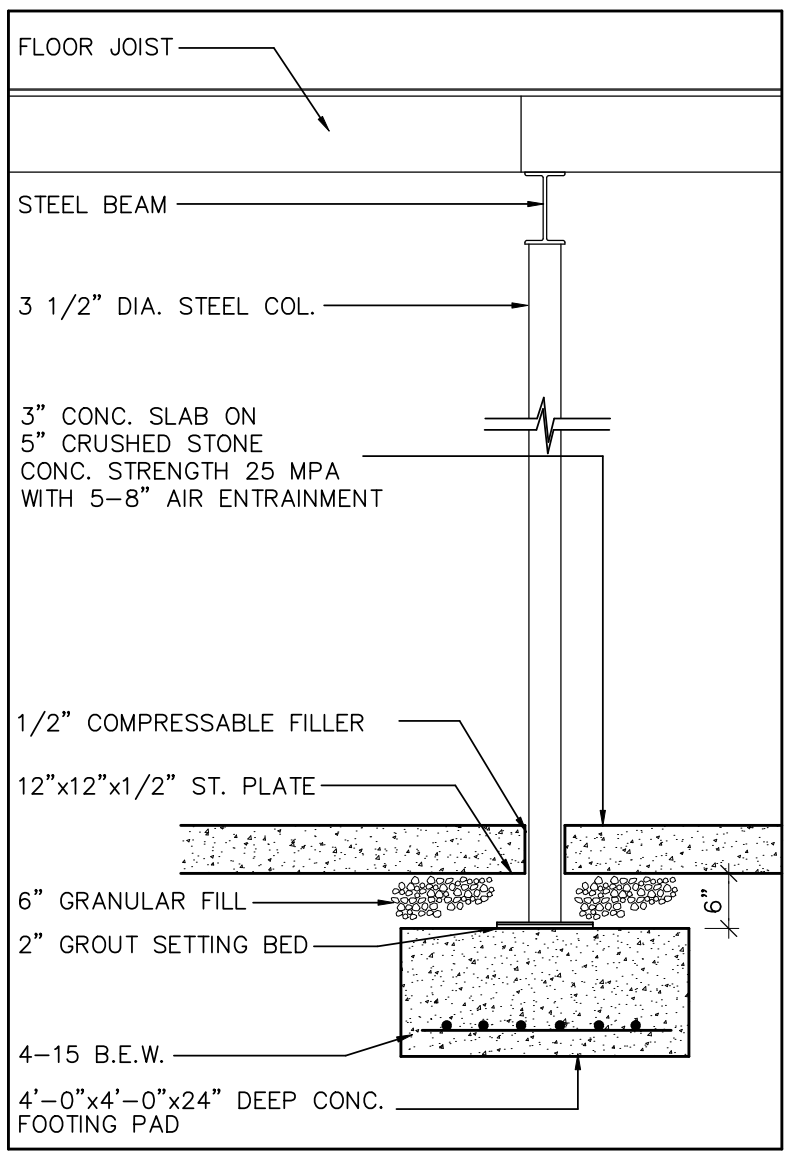
A BUILDING SECTION  
 1/4"=1'-0"



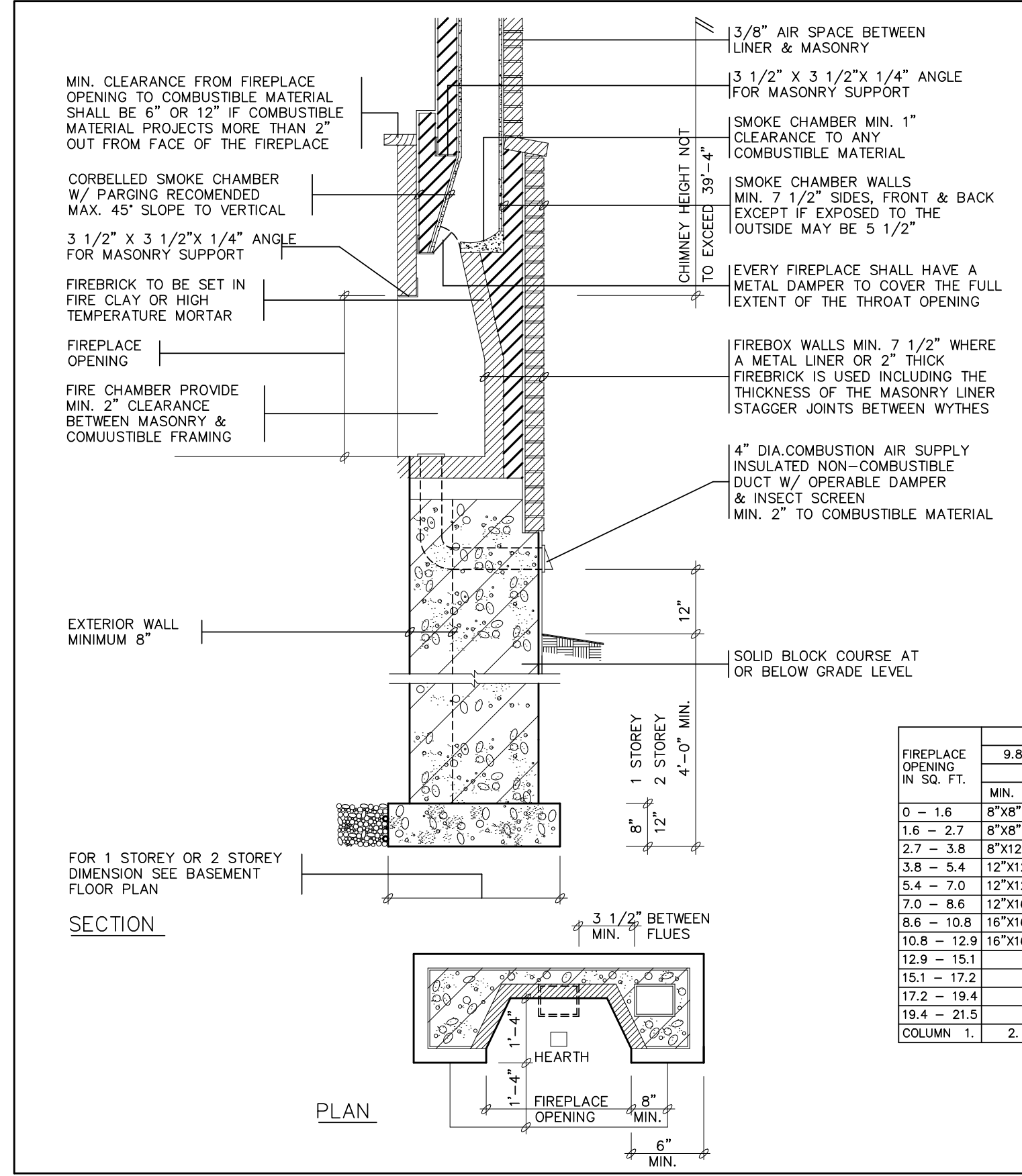
3 DETAIL  
 1"=1'-0"



4 FRONT PORCH SLAB DETAIL  
 1"=1'-0"



5 STEEL COL. DETAIL  
 1/2"=1'-0"



6 CHIMNEY DETAIL  
 N.T.S.

- GENERAL NOTES**
- JOISTS OR BEAMS SUPPORTED ON CHIMNEY FLUE SHALL BE SEPARATED BY 12" OF SOLID MASONRY.
  - MAXIMUM ANGLE OF SLOPE FOR SMOKE CHAMBER IS 45° FROM VERTICAL.
  - COMBUSTIBLE FLOORING, SUB FLOORING & CEILING FINISHES SHALL HAVE A MINIMUM 1/2" CLEARANCE TO MASONRY CHIMNEY.
  - SADDLE NOT REQUIRED IF FLASHING USED THAT EXTENDS UP THE CHIMNEY TO HEIGHT EQUAL TO NOT LESS THAN 1/6 THE WIDTH OF THE CHIMNEY BUT NOT LESS THAN 6" UP THE ROOF SLOPE TO A POINT EQUAL IN HEIGHT TO THE FLASHING ON THE CHIMNEY, BUT NOT LESS THAN 1 1/2 TIMES THE SHINGLE EXPOSURE. PROVIDE COUNTERFLASHING AT THE CHIMNEY.
  - EXCEPT AS REQUIRED IN SENTENCE (2) PRELAPSES SHALL HAVE A NONCOMBUSTIBLE HEARTH EXTENDING NOT LESS THAN 16" IN FRONT OF THE FIREPLACE OPENING MEASURED FROM THE FACING & NOT LESS THAN 8" BEYOND EACH SIDE OF THE FIREPLACE OPENING.
  - WHERE THE HEARTH IS ELEVATED MORE THAN 6" ABOVE THE HEARTH EXTENSION, THE WIDTH OF THE HEARTH EXTENSION SHALL BE INCREASED BY:
    - 2" FOR AN ELEVATION ABOVE 6" & NOT MORE THAN 12"
    - AN ADDITIONAL 1" FOR EVERY 2" IN ELEVATION ABOVE 12"
  - INSTALL A CARBON MONOXIDE DETECTOR CONFORMING TO CAN/CGA-619 OR UL 2034

FIREPLACE OPENING IN SQ. FT.	CHIMNEY HEIGHT IN FEET							
	9.8 - 14.8		14.8 - 19.4		19.4 - 29.2		29.2 - 39.4	
	MIN.	MAX.	MIN.	MAX.	MIN.	MAX.	MIN.	MAX.
0 - 1.6	8"x8"	8"x8"	4"x8"	4"x8"	4"x8"	4"x8"	4"x8"	4"x8"
1.6 - 2.7	8"x8"	8"x8"	8"x8"	8"x8"	8"x8"	8"x8"	8"x8"	8"x8"
2.7 - 3.8	8"x12"	8"x12"	8"x8"	8"x8"	8"x8"	8"x8"	8"x8"	8"x8"
3.8 - 5.4	12"x12"	12"x12"	8"x12"	8"x12"	8"x12"	8"x12"	8"x8"	8"x12"
5.4 - 7.0	12"x12"	12"x16"	12"x12"	12"x12"	12"x12"	12"x12"	8"x12"	8"x12"
7.0 - 8.6	12"x16"	12"x16"	12"x12"	12"x16"	12"x12"	12"x12"	12"x12"	12"x12"
8.6 - 10.8	16"x16"	16"x16"	12"x16"	12"x16"	12"x16"	12"x16"	12"x12"	12"x12"
10.8 - 12.9	16"x16"	16"x16"	16"x16"	16"x16"	12"x16"	12"x16"	12"x16"	12"x16"
12.9 - 15.1			16"x16"	16"x16"	16"x16"	16"x16"	12"x16"	12"x16"
15.1 - 17.2					16"x16"	16"x16"	16"x16"	16"x16"
17.2 - 19.4						16"x16"	16"x16"	16"x16"
19.4 - 21.5							16"x16"	16"x16"
								16"x16"

REVISIONS				
NO.	DATE	ISSUED	BY	CD

THIS DRAWING SHALL NOT BE COPIED, REPRODUCED OR DISTRIBUTED IN ANY MANNER WITHOUT THE EXPRESS WRITTEN APPROVAL OF THE DESIGNER.  
 THE CONTRACTORS SHALL VERIFY ALL DIMENSIONS ON THE JOB AND REPORT ANY DISCREPANCY TO THE DESIGNER PRIOR TO PROCEEDING WITH THE WORK.  
 ALL DRAWINGS AND SPECIFICATIONS ARE THE PROPERTY OF THE DESIGNER AND SHALL BE RETURNED UPON COMPLETION OF THE CONSTRUCTION WORK.



PROJECT  
**PROPOSED 1 STOREY DWELLING FOR:**

CALEDON ONTARIO

SHEET TITLE  
**BUILDING SECTION, DET. AND WALL SECTION**

DATE: FEB. 7, 2004  
 DRAWN: S.J.P.  
 SCALE: 1/4"=1'-0"  
 SHEET NO.: **A7 of 7**